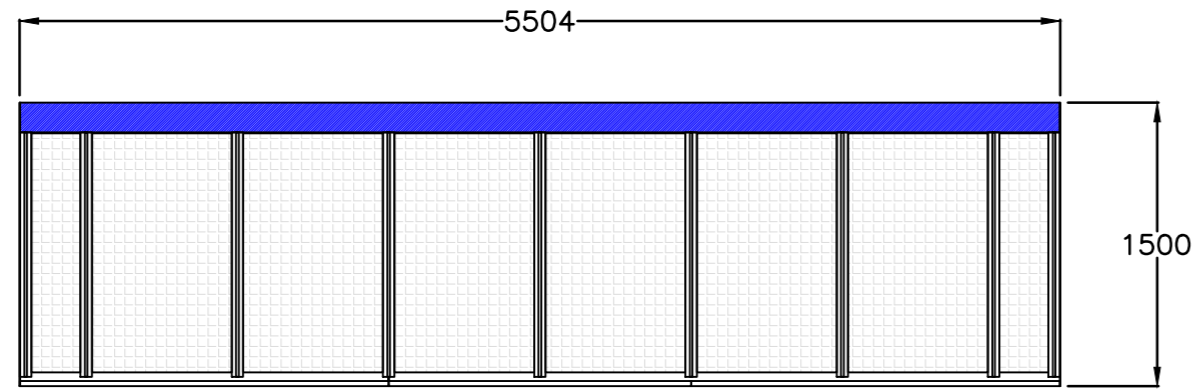


VOYAGER ANTI VANDAL RANGE CANTILEVER WAITING SHELTER: MODULAR 3 BAY LAYOUT



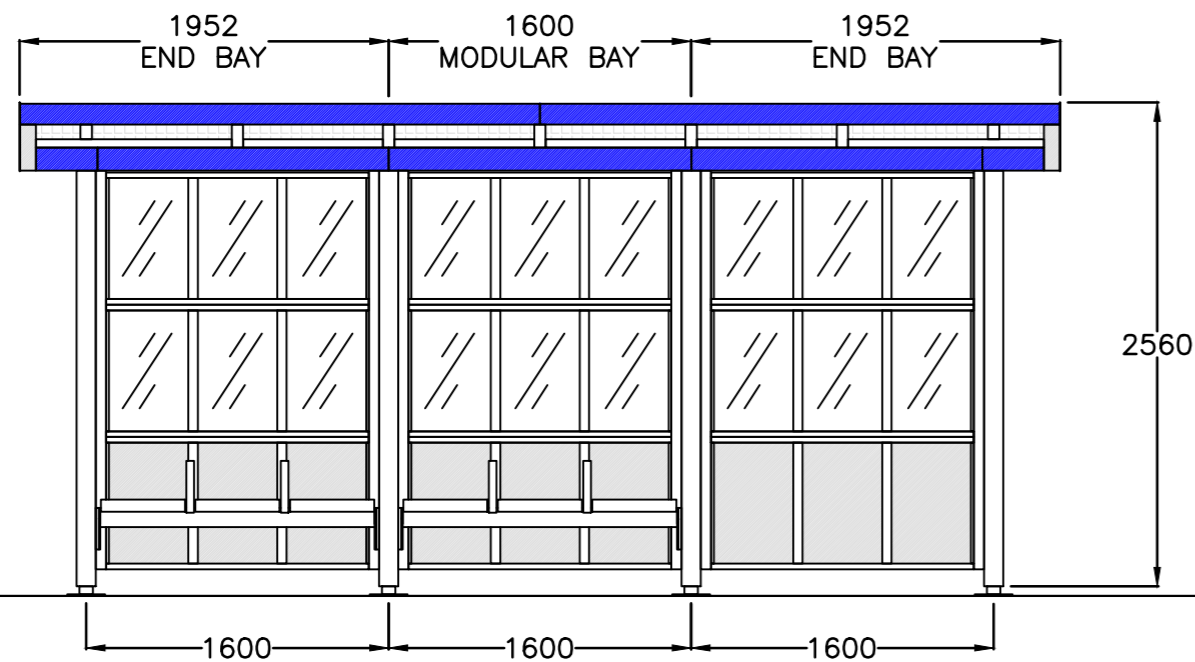
ROOF PLAN

SHELTER CONFIGURATIONS:

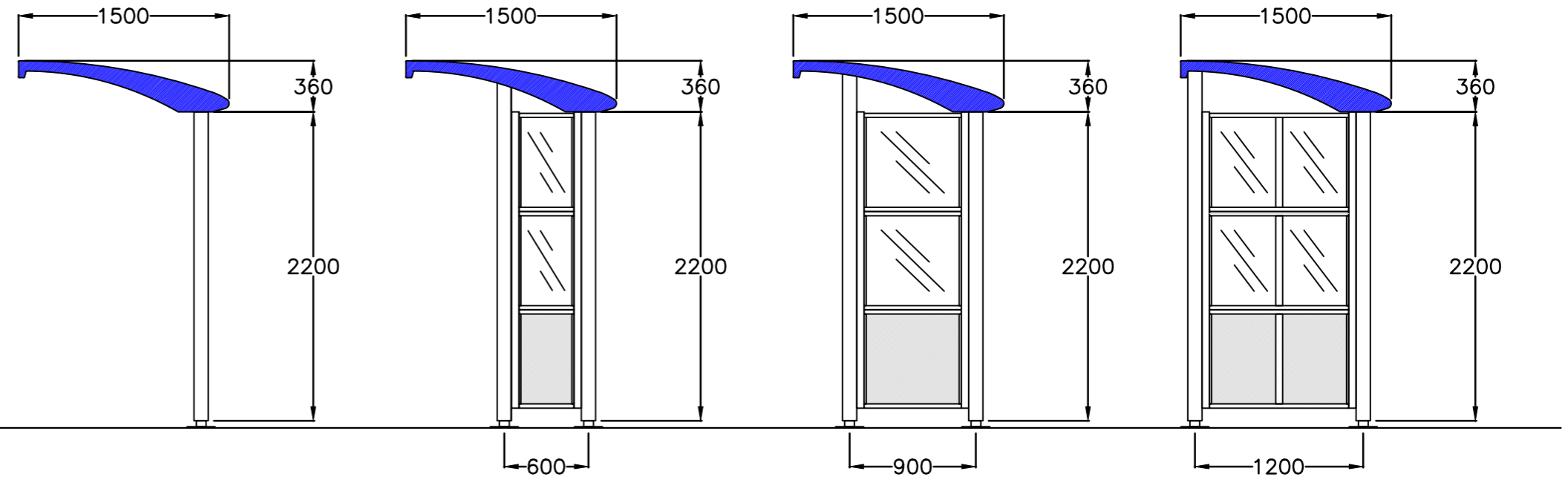
1. TO CALCULATE OVERALL LENGTH, MULTIPLY MODULAR BAY SIZE BY THE NUMBER OF BAYS LESS TWO AND ADD TWO END BAYS.
2. WAITING SHELTER END BAYS ARE FIXED AND ONLY MODULAR BAY IS TO BE MULTIPLIED OR SUBTRACTED.
3. MINIMUM VOYAGER WAITING SHELTER IS TWO END BAYS.

EXAMPLE:

5 BAY WAITING SHELTER – 3x MODULAR BAY (3x1600) + 2x END BAY (2x1952) = 8704mm



FRONT ELEVATION

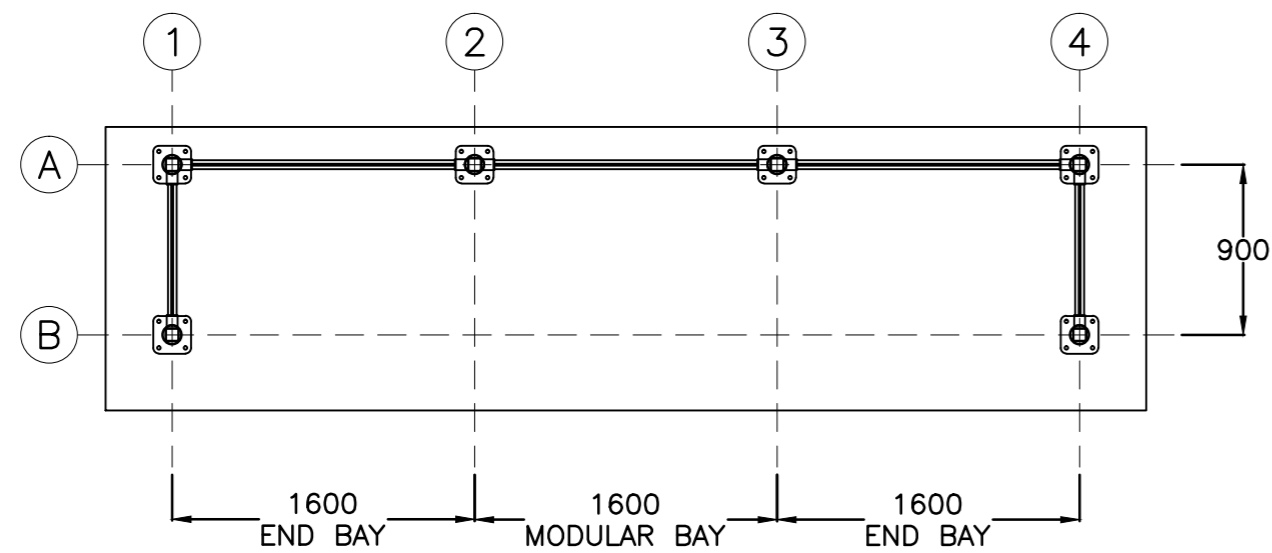


NO END

600mm END

900mm END

1.2m END



COLUMN LAYOUT
(900 ENDS)

STRUCTURE SPECIFICATION:

- ROOF SHEETS – 3mm POLYESTER POWDER COATED (GREY AS STANDARD).
- ROOF RINGS – ANODISED AND POLYESTER POWDER COATED ALUMINIUM EXTRUSION (GREY AS STANDARD).
- ROOF END PANEL – POLYESTER POWDER COATED STAINLESS STEEL (RAL COLOUR SPECIFIED BY CUSTOMER).
- GUTTER – ANODISED AND POLYESTER POWDER COATED ALUMINIUM EXTRUSION (RAL COLOUR SPECIFIED BY CUSTOMER).
- LED LIGHTING CASE – ANODISED AND POLYESTER POWDER COATED ALUMINIUM EXTRUSION (SAME AS GUTTER).
- GLAZING FRAME – ANODISED ALUMINIUM EXTRUSION WITH STAINLESS STEEL RIMEX STRIPS.
- GLAZING – 10mm TOUGHENED SAFETY GLASS.
- KICK PANELS – SOLID COMPOSITE SHEET.
- COLUMNS – ϕ 101.6mm BRUSHED STAINLESS STEEL (GRADE 316).

WAITING SHELTER SPECIFICATION:

- SHELTER IS FIXED TO GROUND VIA 'BOLT DOWN' SPIGOTS.
- DUCTING FOR ELECTRICAL FEED TO COLUMN GRID POSITION A1 & A4.
- DRAINAGE TO COLUMNS A2 & A3.
- 4x LED LIGHTING PER BAY.
- SEATING IS INDICATIVE AND IS INCLUDED AS A SEPERATE ITEM.

DIMENSIONS ARE DISPLAYED AS MILLIMETERS (MM)

OTHER SIZES AND CONFIGURATIONS ARE AVAILABLE

	A 29/07/14 – FIRST ISSUE	REVISIONS
JOB	VOYAGER ANTI VANDAL RANGE WAITING SHELTER: CANTILEVER	TITLE VOYAGER ANTI VANDAL RANGE WAITING SHELTER: MODULAR 3 BAY LAYOUT
SCALE:	1:40 @ A2	DATE: JULY 2014
PROJECTION		DRAWN BY: JNW AutoCAD
		DRAWING NO.: VOY_LAYOUT_CNT
		ISSUE: A
ALL DIMENSIONS GIVEN ARE IN MILLIMETERS UNLESS STATED OTHERWISE		